

IK W12-SVC2



IMPACT

K-SERIES

300MM / 12INCH
1x2Ω SUBWOOFER
FOR COMPACT ENCLOSURES

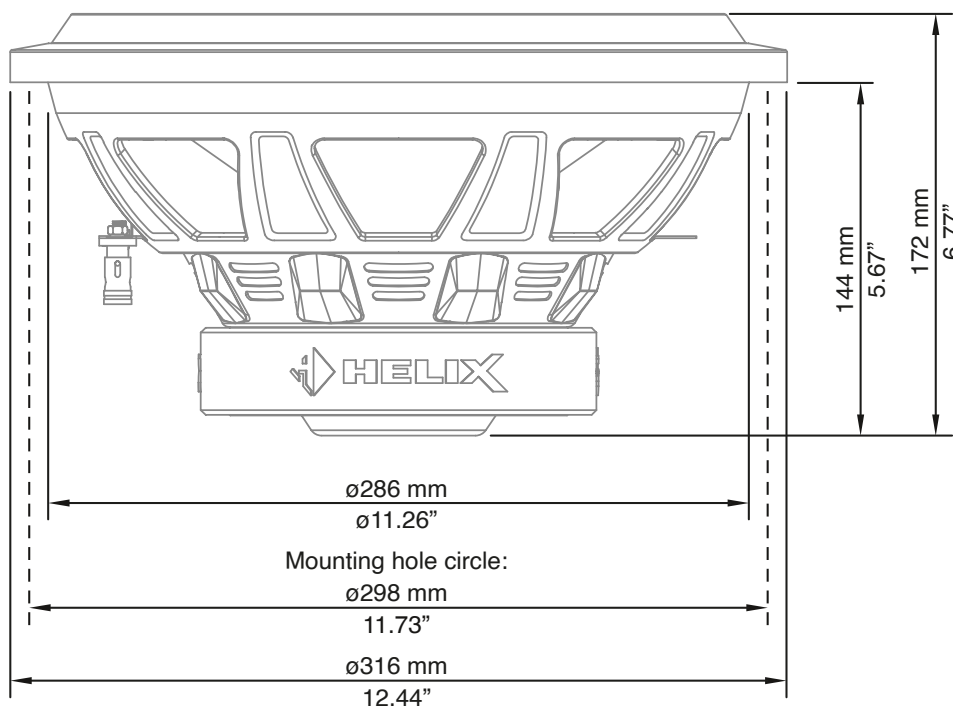


- 1 x 2 Ohms single voice coil
- Extremely stiff, hand-scooped paper cone for outstanding impulse response
- Double ventilated voice coil for minimum compression effects and high power handling
- Long-excursion rubber surround for highest mechanical rating
- Solid push terminals
- Powerful magnet system for compact enclosures
- Rugged magnet cover with HELIX lettering for perfect magnet protection
- Grille and gasket included in delivery



Dimensions

Abmessungen



Technical data

Technische Daten

| | | |
|--|------|---------------------------------------|
| Power handling Belastbarkeit | RMS | 300 W |
| | Max. | 600 W |
| Impedance Impedanz | Z | 1 x 2 Ω |
| DC resistance Gleichstromwiderstand | Re | 2 Ω |
| Resonance frequency Resonanzfrequenz | Fs | 31 Hz |
| Mechanical Q factor Mechanische Güte | Qms | 4,03 |
| Electrical Q factor Elektrische Güte | Qes | 0,54 |
| Total Q factor Gesamtgüte | Qts | 0,47 |
| Compliance Nachgiebigkeit | Cms | 142 μm/N |
| Equivalent air volume Äquivalentvolumen | Vas | 53 L |
| Force factor Kraftfaktor | B*I | 11,9 Tm |
| Sensitivity Wirkungsgrad | SPL | 95 dB @ 2,83V / 1m 89 dB @ 1W / 1m |
| Cone area Membranfläche | Sd | 515 cm² |
| Moving mass Bewegte Masse | Mms | 146 g |
| Mechanical resistance Mechanischer Widerstand | Rms | 9,2 kg/s |
| Voice coil diameter Schwingspuldurchmesser | Ø | 50,8 mm |
| Voice coil winding height Schwingspulenwickelbreite | | 24 mm |
| Max. linear excursion Max. linearer Membranhub | Xmax | +/- 8 mm |

Enclosure recommendations

Gehäuseempfehlungen

Sealed box

Geschlossenes Gehäuse

| | |
|--|--|
| Net volume Nettovolumen | 22 L |
| Lower limiting frequency (-3dB) Untere Grenzfrequenz (-3dB) | 40 Hz |
| Recommended DSP settings Empfohlene DSP-Einstellungen | Highpass: "Self-Define" 37 Hz / Q = 1,5; EQ Filter: 80 Hz / Q = 1,3 / -3 dB |

Vented box

Bassreflex-Gehäuse

| | |
|--|--|
| Net volume Nettovolumen | 40 L |
| Port diameter Reflex-Kanaldurchmesser | Ø 100 mm |
| Port area Reflex-Kanallfläche | 78 cm² |
| Port length Reflex-Kanallänge | 35 cm |
| Port tuning frequency Tunnelabstimmungsfrequenz | Fb 34 Hz |
| Lower limiting frequency (-3dB) Untere Grenzfrequenz (-3dB) | 37 Hz |
| Recommended DSP settings Empfohlene DSP-Einstellungen | Highpass: "Self-Define" 34 Hz / Q = 0,8; EQ Filter: 80 Hz / Q = 0,7 / -2 dB |

Wiring configuration

Anschluss

1 x 2 Ω configuration on one amplifier channel

1 x 2 Ω Konfiguration an einem Verstärkerkanal

