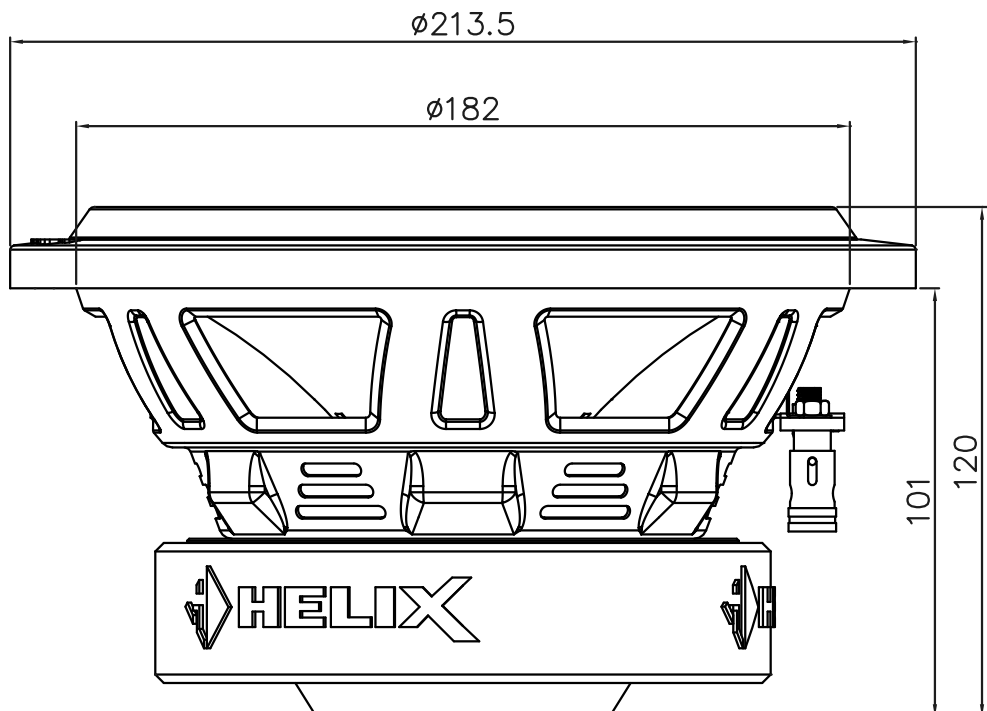


200 mm / 8" subwoofer with 1 x 2 Ohms single voice coil



Dimensions Abmessungen

All dimensions are noted in mm / Alle Abmessungen in mm



Technical data

Technische Daten

Power <i>Leistung</i>	<i>RMS</i>	300 W
	<i>Max.</i>	600 W
Impedance <i>Impedanz</i>	<i>Z</i>	1 x 2 Ω
DC resistance <i>Gleichstromwiderstand</i>	<i>Re</i>	1 x 2,0 Ω
Resonance frequency <i>Resonanzfrequenz</i>	<i>Fs</i>	37 Hz
Mechanical Q factor <i>Mechanische Güte</i>	<i>Qms</i>	4,01
Electrical Q factor <i>Elektrische Güte</i>	<i>Qes</i>	0,49
Total Q factor <i>Gesamtgüte</i>	<i>Qts</i>	0,44
Compliance <i>Nachgiebigkeit</i>	<i>Cms</i>	190 μm/N
Equivalent air volume <i>Äquivalentvolumen</i>	<i>Vas</i>	13,4 L
Force factor <i>Kraftfaktor</i>	<i>B*I</i>	10,2 Tm
Efficiency 1W / 1m <i>Wirkungsgrad 1W / 1m</i>	<i>SPL</i>	85,0 dB
Cone area <i>Membranfläche</i>	<i>Sd</i>	219 cm ²
Moving mass <i>Bewegte Masse</i>	<i>Mms</i>	86 g
Mechanical resistance <i>Mechanischer Widerstand</i>	<i>Rms</i>	6,1 kg/s
Voice coil diameter <i>Schwingspulendurchmesser</i>	<i>Ø</i>	50,8 mm
Voice coil winding height <i>Schwingspulenwickelbreite</i>		24 mm
Max. linear excursion <i>Max. linearer Membranhub</i>	<i>Xmax</i>	+/- 8 mm

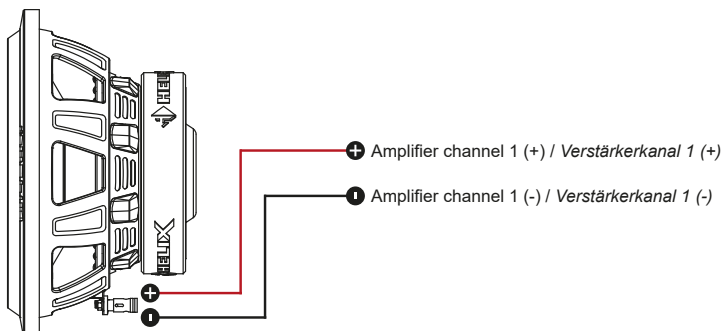
Recommended enclosure volumes

Empfohlene Gehäusevolumina

Vented box <i>Bassreflex-Gehäuse</i>	
Net volume <i>Nettovolumen</i>	9 L
Port diameter <i>Reflex-Kanaldurchmesser</i>	Ø 60 mm
Port area <i>Reflex-Kanalfäche</i>	28 cm ²
Port length <i>Reflex-Kanallänge</i>	46 cm (angled port)
Port tuning frequency <i>Tunnelabstimmungsfrequenz</i>	<i>Fb</i> 38 Hz
Lower limiting frequency (-3 dB) <i>Untere Grenzfrequenz (-3 dB)</i>	41 Hz
Recommended DSP settings <i>Empfohlene DSP-Einstellungen</i>	"Self-Define" Highpass: 40 Hz / Q = 1,2; EQ Filter: 90 Hz / Q = 0,9 / -2 dB
Sealed box <i>Geschlossenes Gehäuse</i>	
Net volume <i>Nettovolumen</i>	10 L
Lower limiting frequency (-3 dB) <i>Untere Grenzfrequenz (-3 dB)</i>	45 Hz
Recommended DSP settings <i>Empfohlene DSP-Einstellungen</i>	"Self-Define" Highpass: 46 Hz / Q = 1,5; EQ Filter: 90 Hz / Q = 1,0 / -2,5 dB

Connection configuration

Anschluss



Grille and gasket included in delivery

Gitter und Abdeckung im Lieferumfang enthalten

